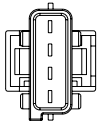
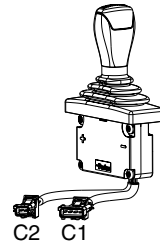


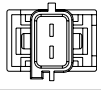
Wiring diagrams

Pin #	Signal/Function	C1
1	GND	
2	VS (+5V)	
3	VOUT-A (primary)	
4	VOUT-B (secondary)	

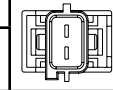
Mating connector kit: 5031097

-S (AMP/Tyco)




Pin #	Signal/Function	C2
1	DOUT, MAX 200 mA	
2	+BAT (+12V, +24V)	

Mating connector kit: 5031098 with switch

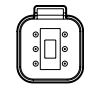
Pin #	Signal/Function	C2
1	GND	
2	+BAT (+24V only)	

Mating connector kit: 5031098 with detent

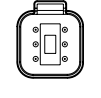
-D (Deutsch DT)

Pin #	Signal/Function	C1	Pin #	Signal/Function
4	VOUT-B (secondary)		1	GND
3	VOUT-A (primary)		2	VS (+5V)

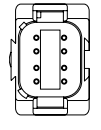
Mating connector kit: 5031113

Pin #	Signal/Function	C1	Pin #	Signal/Function
6	+BAT (+12V, +24V)		1	GND
5	DOUT, MAX 200 mA		2	VS (+5V)
4	VOUT-B (secondary)		3	VOUT-A (primary)

Mating connector kit: 5035014 with switch

Pin #	Signal/Function	C1	Pin #	Signal/Function
6	+BAT (+24V only)		1	GND
5	GND (detent magnet)		2	VS (+5V)
4	VOUT-B (secondary)		3	VOUT-A (primary)

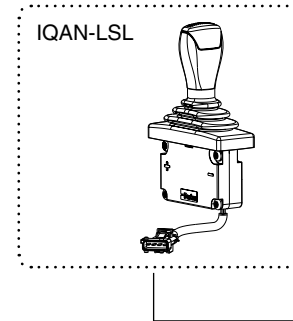
Mating connector kit: 5035014 with detent

Pin #	Signal/Function	C1	Pin #	Signal/Function
8	+BAT (+24V only)		1	GND
7	GND (detent magnet)		2	VS (+5V)
6	+BAT (+12V, +24V)		3	VOUT-A (primary)
5	DOUT, MAX 200 mA		4	VOUT-B (secondary)

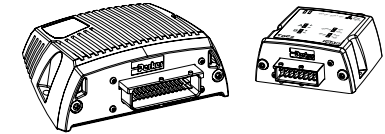
Mating connector kit: 5035015 with switch and detent

Installation IQAN-LSL

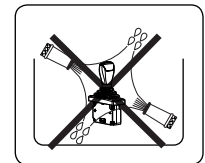
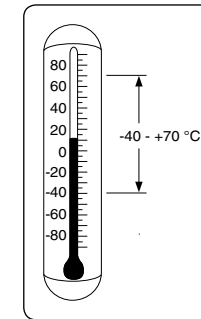
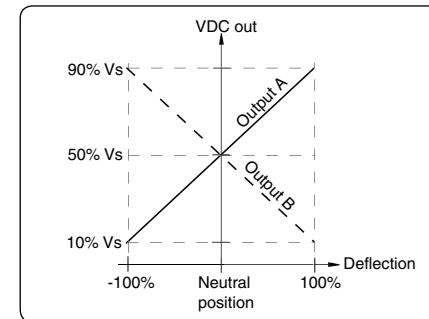
Publ.no: HY33-8302-IS/UK
Ed. 10/2016



task oriented control
or expansion module



Dual sensor output



WARNING

FAILURE OR IMPROPER SELECTION OR IMPROPER USE OF THE PRODUCTS AND/OR SYSTEMS DESCRIBED HEREIN OR RELATED ITEMS CAN CAUSE DEATH, PERSONAL INJURY AND PROPERTY DAMAGE.

This document and other information from Parker Hannifin Corporation, its subsidiaries and authorized distributors provide product and/or system options for further investigation by users having technical expertise. It is important that you analyze all aspects of your application, including consequences of any failure, and review the information concerning the product or system in the current product catalogue. Due to the variety of operating conditions and applications for these products or systems, the user, through its own analysis and testing, is solely responsible for making the final selection of the products and systems and assuring that all performance, safety and warning requirements of the application are met.

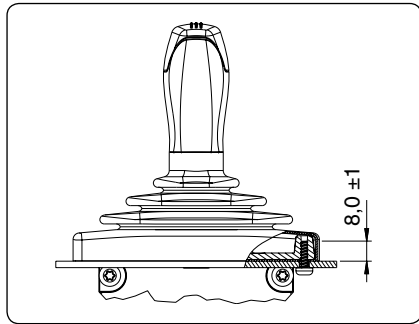
The products described herein, including without limitation, product features, specifications, designs, availability and pricing, are subject to change by Parker Hannifin Corporation and its subsidiaries at any time without notice.

For further information see:
HY33-8302-IB/UK Instructions IQAN-LSL

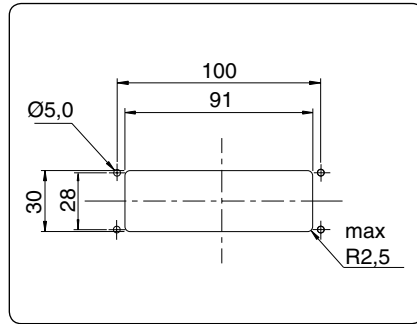


Eng. no: M5010029A
Rev. F

IQAN-LSL



Required screw engagement

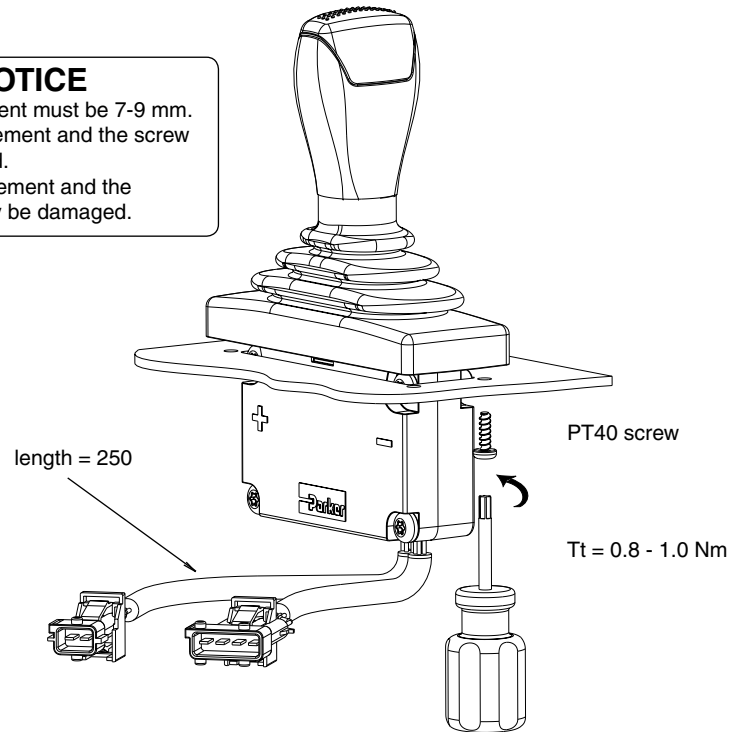


Mounting hole dimensions

! NOTICE

Screw engagement must be 7-9 mm.

- Less engagement and the screw may not hold.
- More engagement and the housing may be damaged.

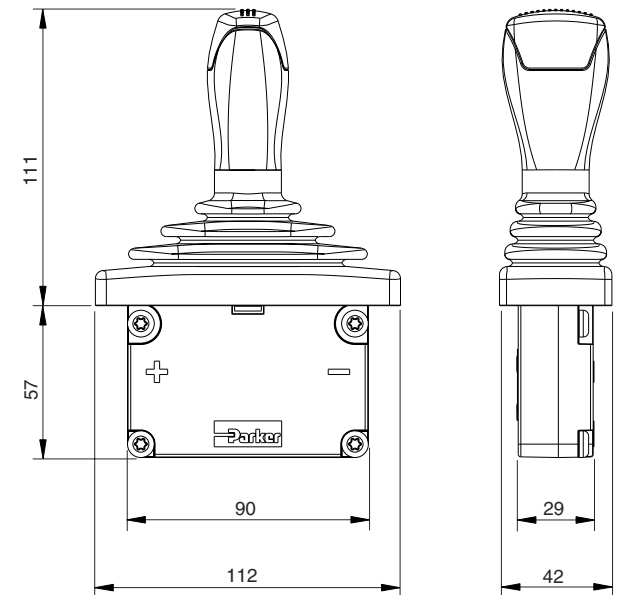
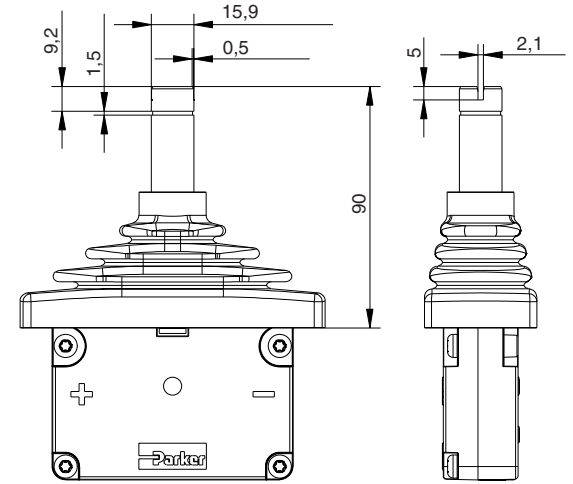


IQAN-LSL

! NOTICE

Connectors must be properly installed to meet environmental specification.

- Sealing plugs must be inserted in all unused pin positions.
- All connectors must be installed.



unit = mm